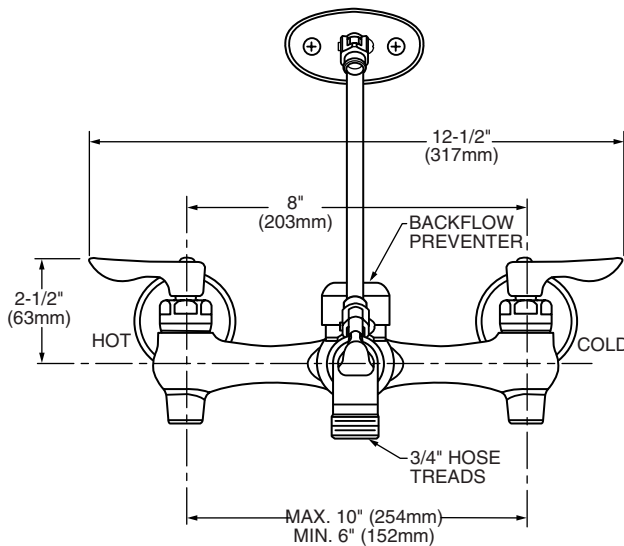
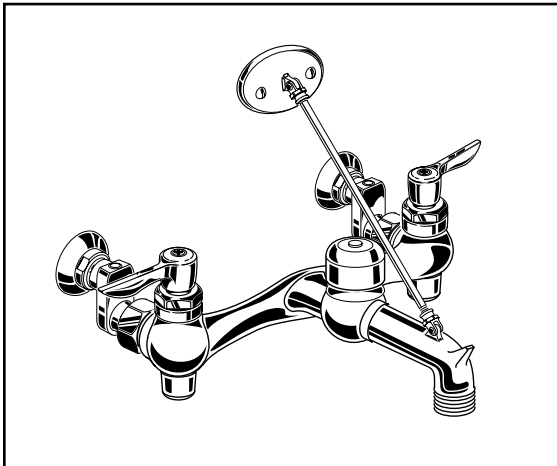


**EXPOSED YOKE WALL-MOUNT
UTILITY FAUCET**
WITH TOP BRACE & OFFSET SHANKS



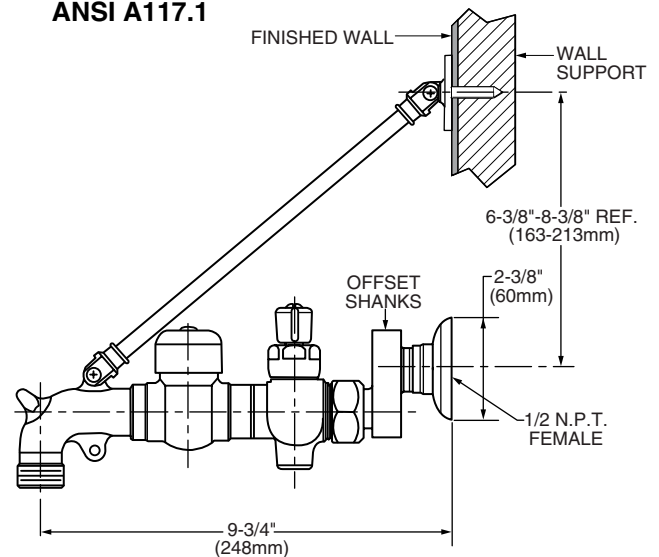
MODEL NUMBER:

- ❑ **8354.112 Exposed Yoke Wall-Mount Utility Faucet**
Top brace. 6" cast brass spout with vacuum breaker. Integral supply stops. Offset shanks with integral check valves. Vandal-resistant metal lever handles. Bucket hook. 3/4" threaded hose end. 1/2" NPT female inlets.

CODES AND STANDARDS:

These products meet or exceed the following codes and standards:

- ASME A112.18.1
- CSA B 125
- ASSE 1001
- ANSI A117.1



GENERAL DESCRIPTION:

Cast brass body. Metal lever handles with hot and cold indicators and vandal-resistant screws. 1/4 turn ceramic disc valve cartridges. Vacuum breaker prevents back flow. Integral service stops. Offset shanks with integral check valves to prevent cross-flow. Spout, top braced to wall, with bucket hook and threaded hose end. 1/2" female inlets with adjustable centers from 6" to 10".

PRODUCT FEATURES:

- Cast Brass Construction:** Durable - Excellent in high use applications.
- Ceramic Disc Valve Cartridges:** Assure a lifetime of drip-free performance.
- Vacuum Breaker:** Prevents back flow.
- Integral Supply Stops:** Permits easy and convenient access.
- Offset Shanks with Integral Check Valves:** Adjustable rough-in from 6 to 10 inches.
- Top Brace:** Provides additional support.
- Choice of Finishes:** Available in Polished Chrome (002) or Rough Chrome (004).

 MEETS THE AMERICANS WITH DISABILITIES ACT GUIDELINES AND ANSI A117.1 REQUIREMENTS FOR ACCESSIBLE AND USABLE BUILDING FACILITIES-CHECK LOCAL CODES

SUGGESTED SPECIFICATION

Exposed yoke wall-mount utility faucet shall feature a cast brass body with integral supply stops. Cast brass spout with bucket hook, top brace, and vandal-resistant metal lever handles. Shall feature vacuum breaker to prevent back flow. Offset shanks with integral check valves to prevent cross-flow, provide adjustable rough-in from 6"-10". Shall also feature 1/4 turn washerless ceramic disc valve cartridges. Fitting shall be American Standard Model # 8354.112.____.